

150DH

Hand held crimp sealers Manual



Please read before use

Thank you for purchasing the hand held crimp sealer 150DH.

Please read this instruction carefully before use.

Please keep this manual on file as reference book and for troubleshooting.



Content

Safety advice & helpful information	S. 3
Construction diagram	S. 4
Parts list	S. 5
Benefits & electric connection diagram	S. 7
Operating instructions	S. 8

Safety advice

To prevent damage of the device and injuries of the operator, it is absolutely necessary to comply the safety notes in this manual.

The mentioned warnings describe possible injuries and damages, which are due to wrong usage or maintenance of the device.

Please read and follow these safety notes before reading the manual.

CAUTION:

- 1) To reduce the risk of shock, disconnect the unit from the supply circuit before servicing the replacement of the heating element.
- 2) To provide continued protection against risk of electric shock, connect to properly grounded outlet only.
- 3) If the supply cord is damaged, it must be replaced by a special cord or assembly available from the manufacturer or its service agent.

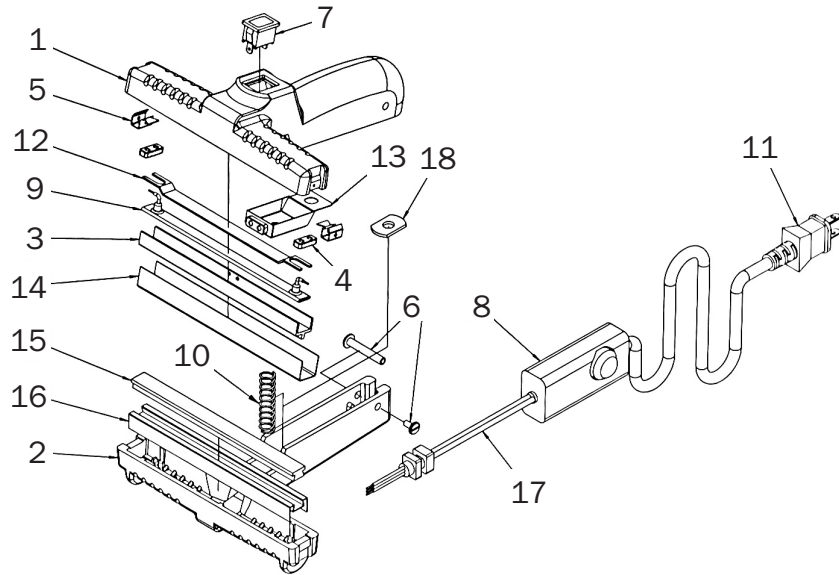
WARNING:

- 1) A live heating element is located in the jaw under the PTFE cloth. Use caution during operation.
DO NOT TOUCH THE ELEMENT!
- 2) For continued protection against fire or electric shock, replace only with type cartridge and suitable ampere fuse, provided in legible adjacent to fuse holder.
- 3) Close supervision is required when the product is used near children.

Helpful information

- 1) Always keep the sealing platform clean. Particular care „should“ be taken to remove any residue from the Seal Jaws.
- 2) Do not clean the sealing platform with anything wet.
- 3) Occasionally check the condition both sides of the heater jaws. a poor sealer platform will effect the quality of your seal.
- 4) Never touch to heater jaws for high temperature.
- 5) USE ONLY GENUINE REPLACEMENT PARTS.

Construction diagram



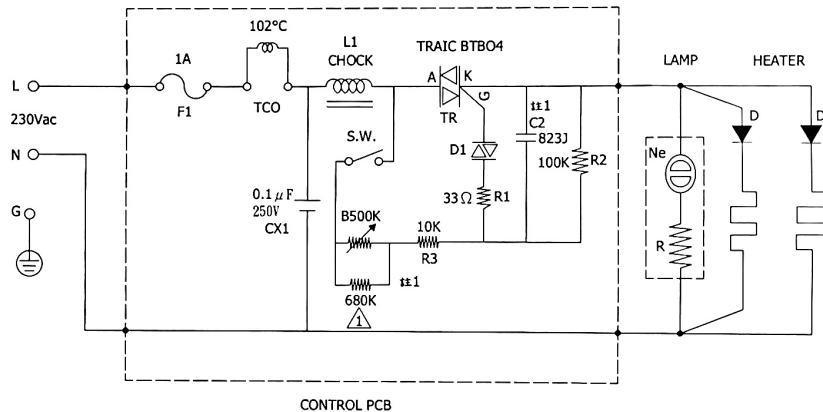
Parts list

No	Description	Parts-No	No	Description	Parts-No
1	Upper Lever Body	1A10-7006	10	Return Spring	1E10-7005
2	Lower Lever Body	1A10-7007	11	Power Plug	1E30-1005
3	Upper Sealer Jaw	2B40-7001	12	Fixed Plates for Heater	1C40-7006
4	Ceramic Pads	1J40-7001	13	Metal Plate for Protection	1C10-7004
5	Clips for Sealer Jaw	1C40-7005	14	Sealer PTFE Cloth	1J50-3115
6	Bolt Pin & Screw	1D20-7005	15	Sealer Rubber	1G20-1010
7	Power Indication Lamp	1E40-7005	16	Rubber Holder	1C10-7005
8	Temp. Controller & Switch	1E60-7005	17	Lead Wire	1E30-7002
9	Heater	1E60-7005	18	Fiber Washer	1J30-7002

Benefits

- 1) constant heat for Cellophane & Foil
- 2) covered two 12 mm wide heated Jaws for Cellophane, Wax Paper, Foils, Alluminium-Laminates and Heat Seal-able Labels.
- 3) light weight and easy to grip
- 4) equipped with temperature controller and working light
- 5) PTFE coated Seal Jaws
- 6) vertical line embossed seal
- 7) the power cord length is 3.0 meter
- 8) aluminium mesh safety guard

Elektronischer Schaltplan



Operating instructions

- 1) Connect power supply plug to AC outlet, the Power light appears indicating power to the unit.
- 2) Turn on main temperature knob. Heating light appears, adjust the temp. control knob to the 100 °C suitable scale for thickness and material of bag. The heating light will go off about three minutes, it is the heating time.
- 3) Adjust the temperature knob to suitable scale for sealing material.
- 4) Insert bag into the seal jaws and apply squeeze the lever handle to seal the bag.
- 5) Release the handle and remove the sealed bag.
- 6) If it does not complete with the seal, turn the temp. knob add until you get desired seal.
- 7) Turn off machine when not in use. Allow the sealer to cool down for 10 minutes before storing.

The temperature controller is calibrated in centigrade to convert to fahrenheit.
 $(^{\circ}\text{C} \times 8/5 + 32 = ^{\circ}\text{F})$
 For safety keep hands and fingers away from the jaws or hex nuts.

